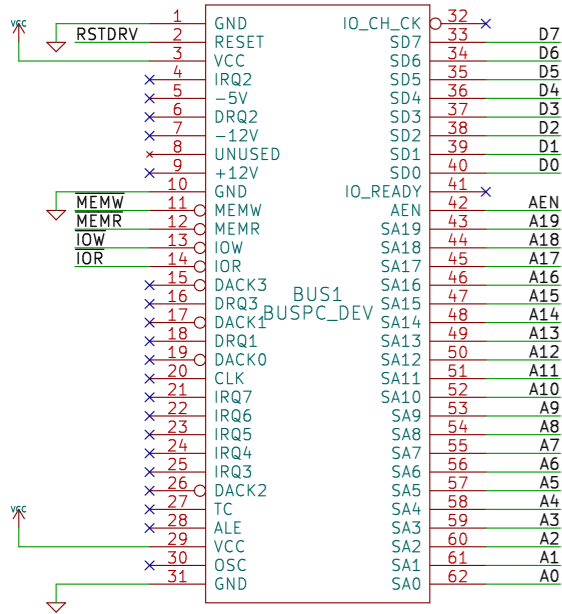
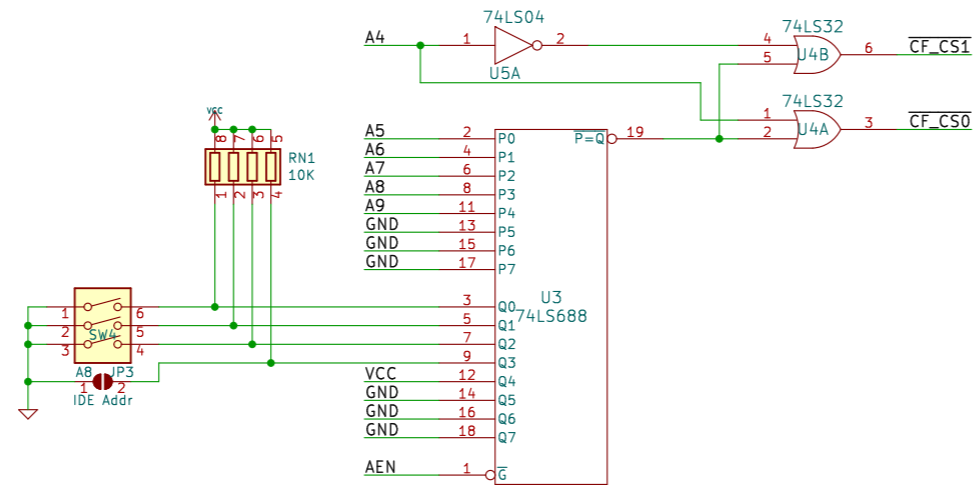


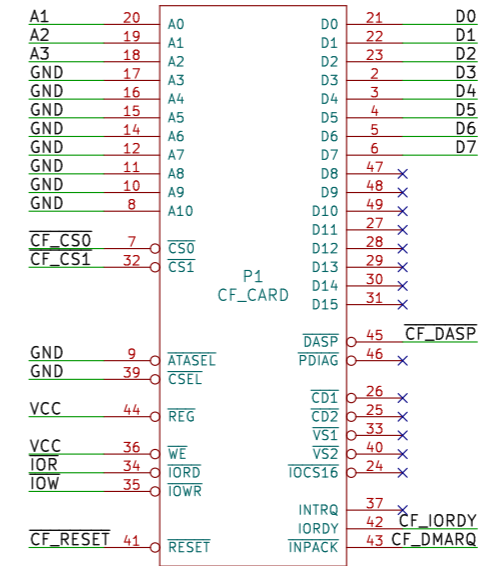
### ISA Bus



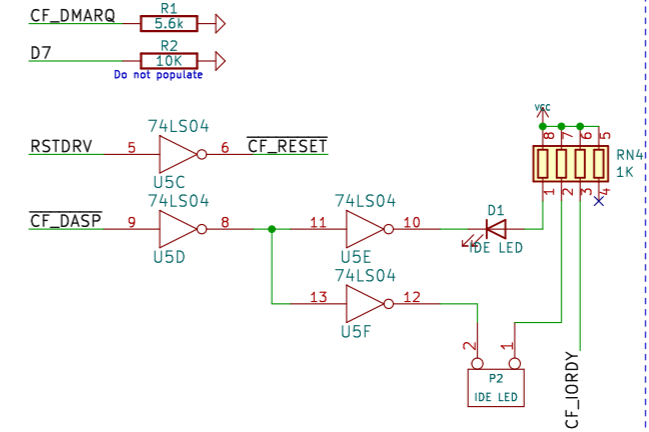
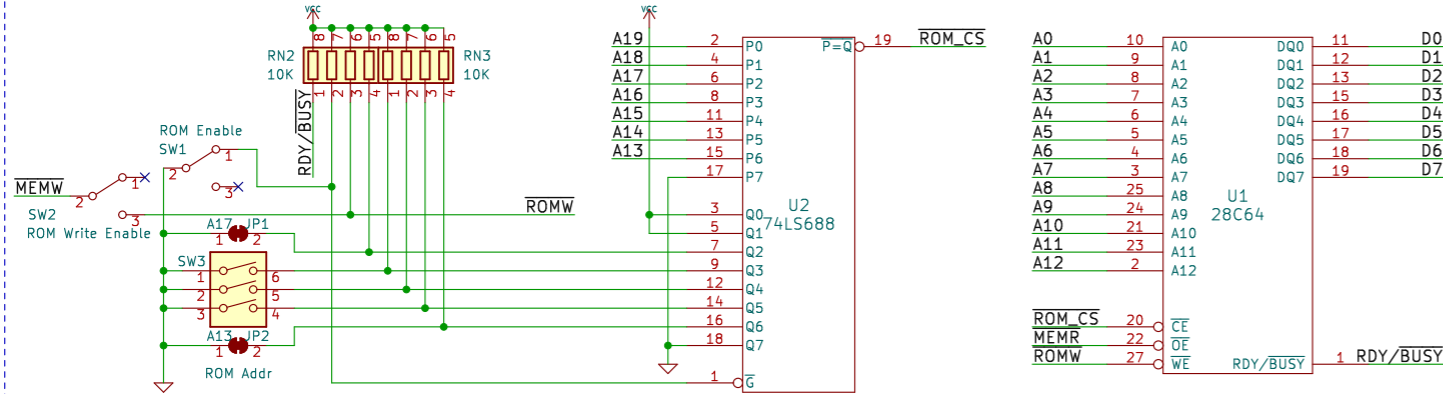
### I/O Ports Chip Select Logic



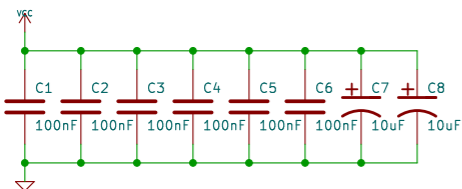
### Compact Flash Interface



### BIOS Extension ROM



### Bypass Capacitors



### Settings

SW1 - ON: ROM Enabled; OFF: ROM Disabled  
 SW2 - ON: EEPROM Write Enabled; OFF: EEPROM Write Disabled

SW3 - ROM I/O Ports:  
 123 ROM  
 111 C000  
 110 C000  
 110 C400  
 101 C800  
 100 C000  
 100 C000  
 100 C000  
 011 D000 < Default  
 010 D400  
 010 D800  
 001 D000  
 000 D000  
 000 D000  
 111 E000\*\*\*  
 111 F2000\*\*\*  
 110 E000\*\*\*  
 101 E8000\*\*\*  
 101 E000\*\*\*  
 101 EA000\*\*\*  
 100 EC000\*\*\*  
 100 E000\*\*\*  
 011 F0000\*\*\*  
 011 F2000\*\*\*  
 010 FA000\*\*\*

Settings marked with asterisks require solder-jumpers to be opened:  
 Settings marked with \* require JP1 to be opened.  
 Settings marked with \*\* require JP2 to be opened.  
 Settings marked with \*\*\* require both JP1 and JP2 to be opened.  
 Settings marked with no asterisk, are set with the three DIP switches, and require JP1 and JP2 to be closed!

SW4 - IDE I/O Ports:  
 123 IDE  
 111 300 < Default  
 011 320  
 001 340  
 001 360  
 110 380  
 010 340  
 100 300  
 000 300

### Spares

